


Otologie
 Otology
 Otologie
 Otología
 Otologia

Ohr-Spekula
 Ear Specula
 Spéculums auriculaires
 Espéculos auriculares
 Specoli auricolari




mm Ø
 ① = 3
 44.010.30
 ② = 4,5
 44.010.45
 ③ = 5,5
 44.010.55
 ④ = 6,5
 44.010.65
 ⑤ = 7,5
 44.010.75

HARTMANN
 44.010.00
 Set = 4




mm Ø
 ② = 5,5
 44.012.55
 ③ = 6,5
 44.012.65
 ④ = 7,5
 44.012.75

TOYNBEE
 44.012.00
 Set = 3




mm Ø
 ① = 4,5
 44.014.45
 ② = 5,5
 44.014.55
 ③ = 6,5
 44.014.65
 ④ = 7,5
 44.014.75

GRUBER
 44.014.00
 Set = 4



mm Ø
 ① = 4,5
 44.015.45
 ② = 5,5
 44.015.55
 ③ = 6,5
 44.015.65
 ④ = 7,5
 44.015.75


GRUBER
 44.015.00
 Set = 3




⑤ 44.018.50
 5 mm
 ⑥ 44.018.60
 6 mm
 ⑦ 44.018.70
 7 mm
 ⑧ 44.018.80
 8 mm

BOUCHERON
 44.018.00
 Set = 4

① 6,5
 ② 7
 ③ 8 mm Ø




BRUENINGS
 44.030.04
 compl.



SIEGLE
 44.036.03
 compl.

Stimmungsgabeln
 Tuning Forks
 Diapasons
 Diapasones
 Diapason



44.060.01
C 128

44.060.02
C¹ 256

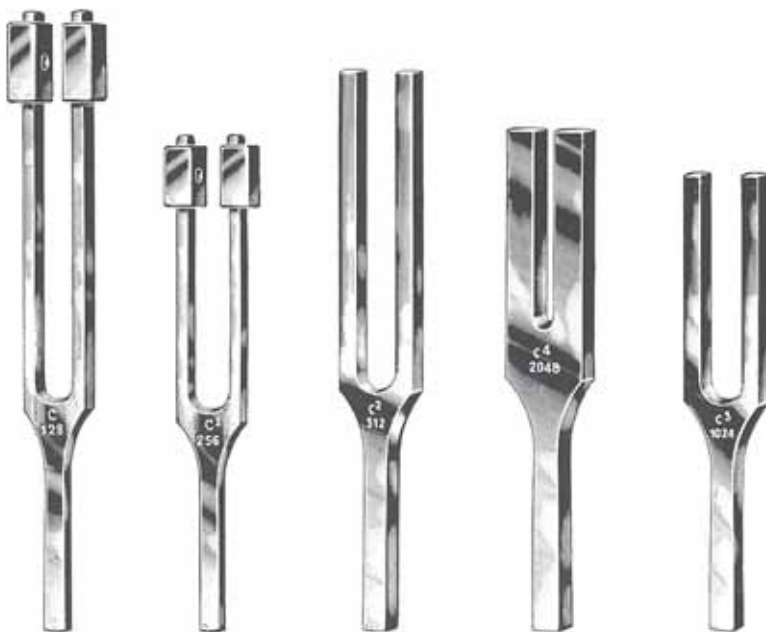
44.060.03
C² 512

44.060.04
C³ 1024

44.060.05
C⁴ 2048



44.061.00
compl.



44.070.01
C 128

44.070.02
C¹ 256

HARTMANN
44.070.03
C² 512

44.070.04
C³ 1024

44.070.05
C⁴ 2048



HARTMANN
44.071.00
compl.

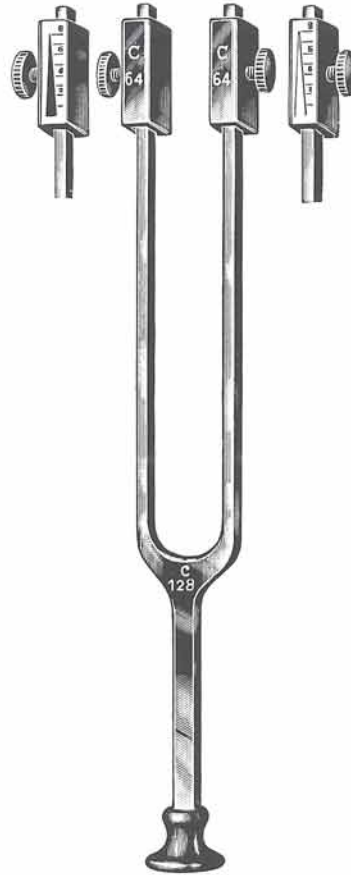
Otologie
 Otology
 Otologie
 Otologia
 Otologia



LUCAE
 44.074.01
 C 128



44.075.00
 neurol.



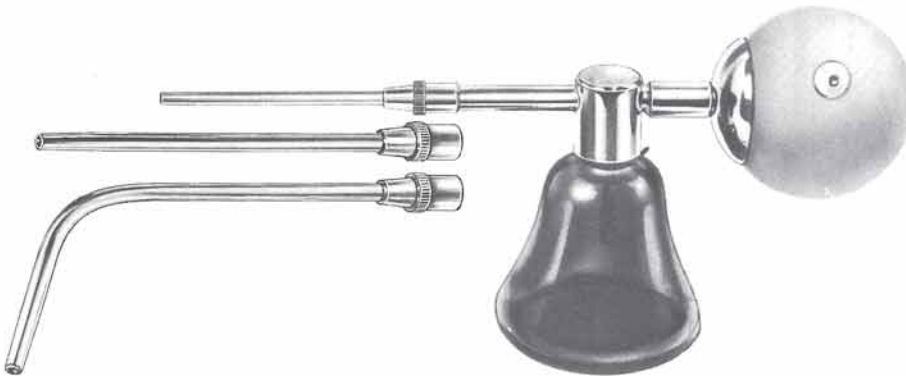
RYDEL-SEIFFER
 44.076.01
 C64/c 128

Lärmapparat
 Noise Apparatus
 Assourdisseur
 Ensordecedor
 Assordatore

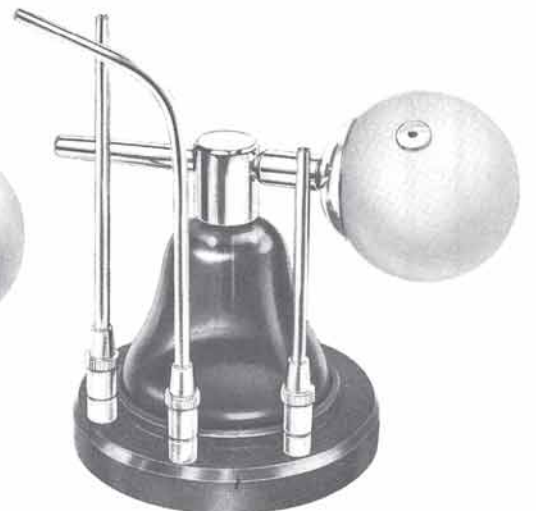


BARANY
 44.080.00

Pulverbläser
 Powder Blowers
 Lance-Poudre
 Lanzapolvero
 Insoffiatori per polvere



KABIERSKE
 44.090.00
 30 cc



KABIERSKE
 44.090.01
 30 cc

Otologie
 Otology
 Otologie
 Otología
 Otologia

Luftdusche, Ohrspritze
 Air Bag, Ear Syringe
 Insufflateur d'air, Seringue
 Insuflador de aire, Jeringa
 Insoffiatore d'aria, Siringa



44.091.03



44.091.04
 4 mm Ø



44.091.15
 15 mm Ø



44.091.17
 17 mm Ø

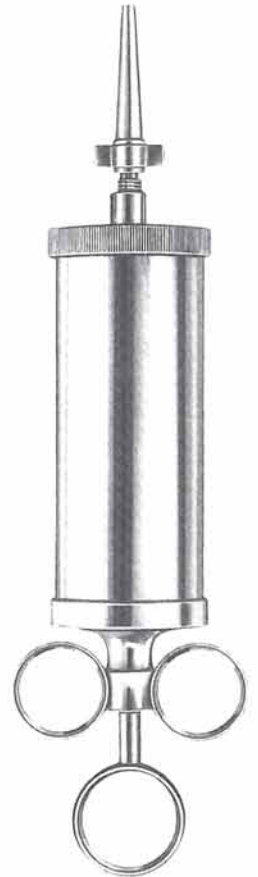


44.091.22
 22 mm Ø

POLITZER

44.091.00 = incl. 44.091.15, 44.091.17, 44.091.22, 44.091.03

44.091.01 = incl. 44.091.15, 44.091.17, 44.091.22, 44.091.03, 44.091.04



ml	REINER
50	44.096.50
75	44.096.75
100	44.097.10
150	44.097.15

Küretten · Curettes ·
 Curettes · Curetas ·
 Curette



stumpf · blunt
 mousses
 romas
 smusse



Fig. 00



0



1



2



3



4



5



44.109.00

44.110.00

44.110.01

44.110.02

44.110.03

44.110.04

44.110.05

scharf · sharp
 tranchantes
 cortantes
 taglienti



44.111.00

44.112.00

44.112.01

44.112.02

44.112.03

44.112.04

44.112.05

stumpf · blunt
 mousses
 romas
 smusse



44.114.00

44.115.00

44.115.01

44.115.02

44.115.03

44.115.04

44.115.05

scharf · sharp
 tranchantes
 cortantes
 taglienti



44.116.00

44.117.00

44.117.01

44.117.02

44.117.03

44.117.04

44.117.05

Otologie
 Otology
 Otologie
 Otología
 Otologia

Katheter, Parazentesenadeln, Ohrmesser, Ohrlöffel
 Catheters, Paracentesis Needles, Ear Knives, Ear Spoons
 Sondes, Aiguilles à paracentèse, Couteaux auriculaires, Cuillers
 Cateteres, Aguja para paracentesis, Cuchillos auriculares, Cucharas
 Cateteri, Aghi per paracentesi, Coltelli auricolari, Cucchiari

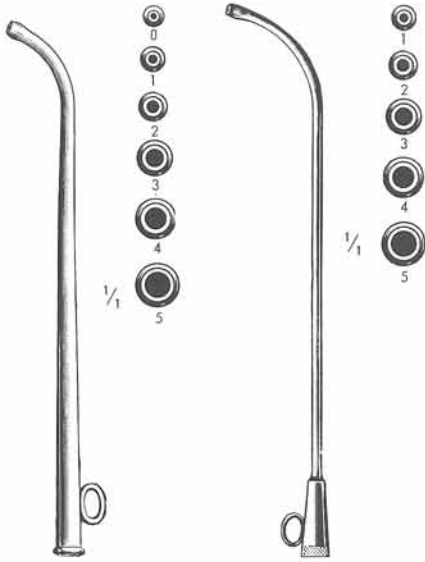


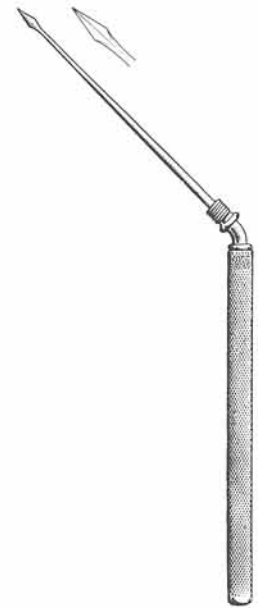
Fig.	HARTMANN	ITARD
0	44.131.00	
1	44.131.01	44.133.01
2	44.131.02	44.133.02
3	44.131.03	44.133.03
4	44.131.04	44.133.04
5	44.131.05	44.133.05



POLITZER
 44.150.18
 18 cm



POLITZER
 44.151.16
 16,5 cm



POLITZER
 44.153.16



POLITZER
 44.160.15
 15 cm



SEXTON
 44.162.18
 18 cm



SEXTON
 44.164.17
 17 cm



SEXTON
 44.165.17
 17 cm



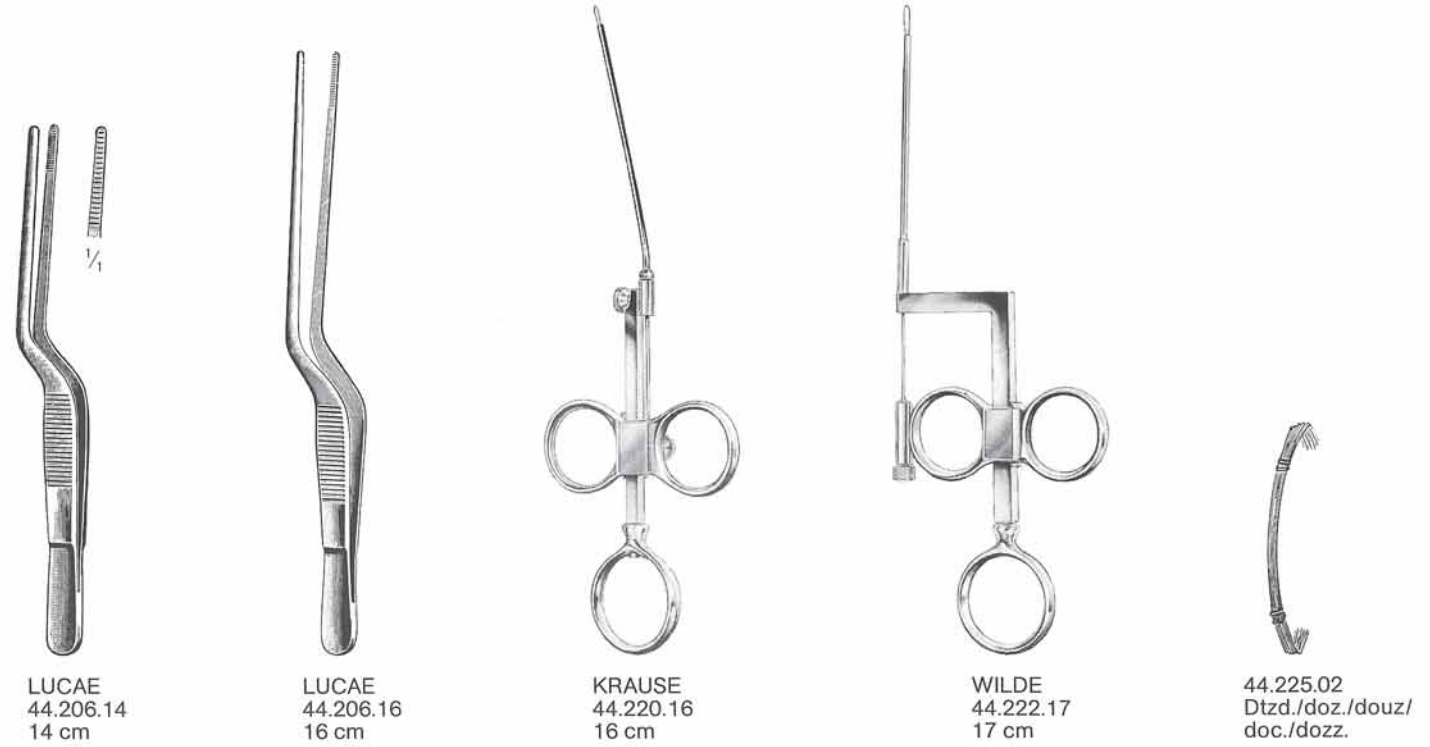
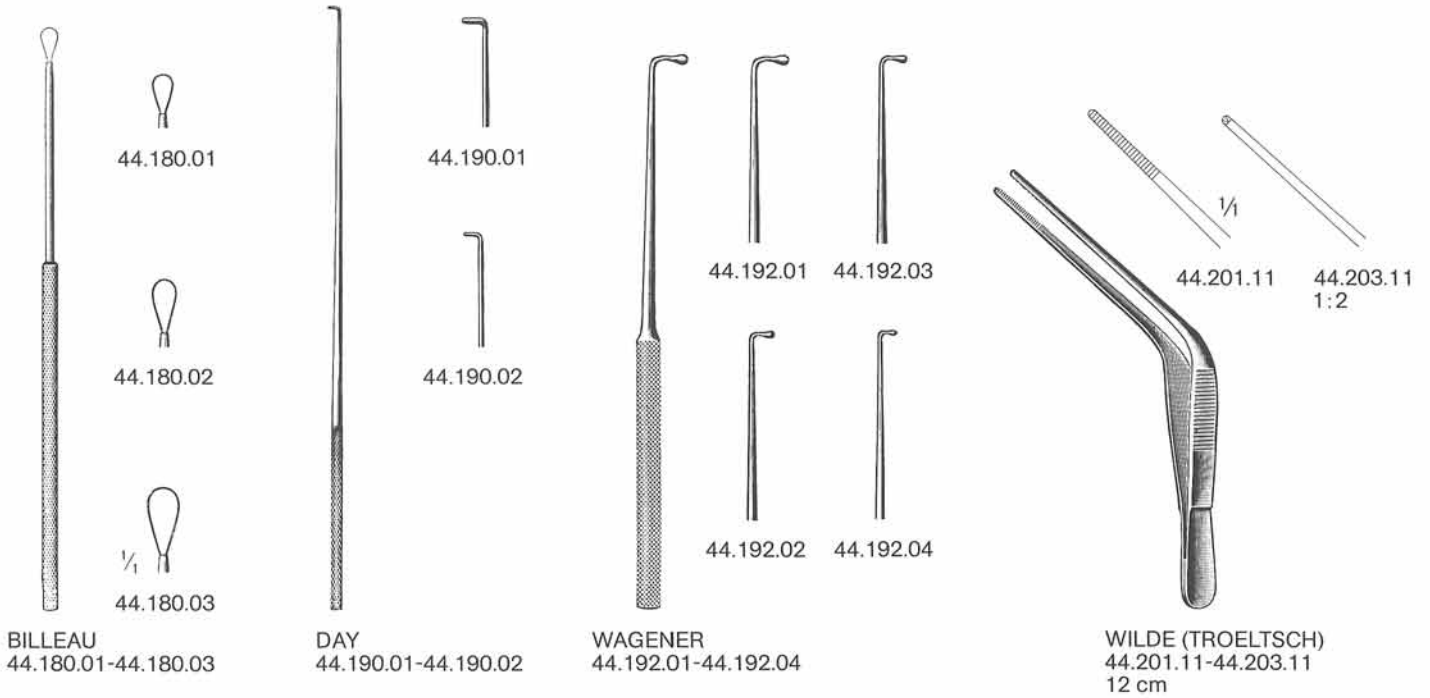
GROSS
 44.170.12
 12 cm



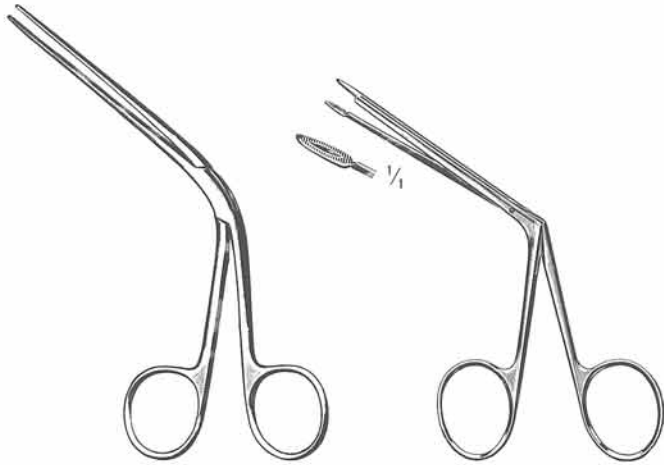
GROSS
 44.171.12
 12 cm

Schlingen, Hakchen, Pinzetten, Schnurer
 Loops, Hooklets, Dressing Forceps, Snares
 Anses, Crochets, Pincas, Serrenocud
 Asas, Ganchitos, Pinzas, Cierranudos
 Anse, Uncinetti, Pinze, Serranodi

Otologie
 Otology
 Otologie
 Otolgía
 Otologia

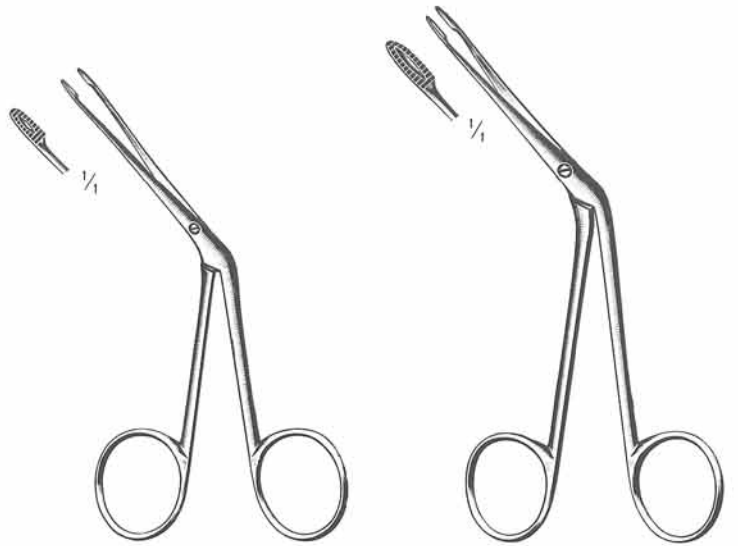


Ohrzängchen
 Ear Forceps
 Pincès auriculaires
 Pinzas auriculares
 Pinze auricolari



TILLEY
 44.243.14
 14 cm

LITTAUER
 44.245.12
 12 cm



HARTMANN
 44.241.12
 12 cm

HARTMANN
 44.241.14
 14 cm



QUIRE
 44.251.10
 10 cm

Fremdkörperhebel
 Foreign Body Levers
 Leviers pour corps étrangers
 Elevadores para cuerpos extranjerios
 Leve per corpi estranei



BUCK
 44.253.11
 11 cm



44.255.08-44.275.08



HARTMANN-WULLSTEIN
 44.255.08
 8,5 cm



HARTMANN-WULLSTEIN
 44.257.08
 8,5 cm



cm	HARTMANN
8,5	44.261.08
14,0	44.261.14
16,0	44.261.16



cm	HARTMANN
8,5	44.263.08
14,0	44.263.14



HARTMANN
 44.265.08
 8,5 cm



Ø mm	HARTMANN
2,0	44.267.20
2,5	44.267.25
3,0	44.267.30

8,5 cm

○ 3 mm



HARTMANN
 44.269.30
 8,5 cm



STRUEMPEL
 44.271.08
 8,5 cm



HARTMANN
 44.273.08
 8,5 cm

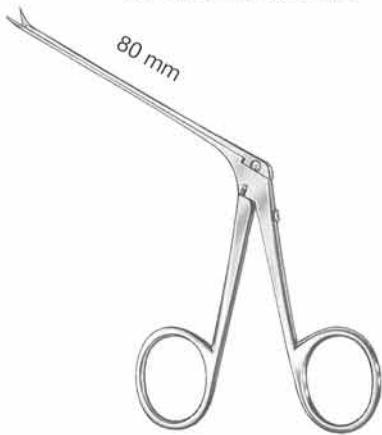
○ 2 mm



HARTMANN-HOFFMANN
 44.275.08
 8,5 cm

Otologie
 Otology
 Otologie
 Otología
 Otologia

Mikro-Ohrscherchen
 Micro Ear Scissors
 Ciseaux auriculaires micro
 Tijeras auriculares micro
 Forbici auricolari micro



44.310.40-44.322.70



BELLUCCI
 44.310.40
 micro mini
 4 mm



BELLUCCI
 44.312.55
 micro standard
 5,5 mm



BELLUCCI
 44.313.55
 micro standard
 5,5 mm



BELLUCCI
 44.315.55
 micro standard
 5,5 mm



BELLUCCI
 44.317.55
 micro standard
 5,5 mm



SHEA
 44.320.70
 7,0 mm



SHEA
 44.321.70
 7,0 mm



SHEA
 44.322.70
 7,0 mm

Mikro-Ohrzängchen
 Micro Ear Forceps
 Pincés auriculaires micro
 Pinzas auriculares micro
 Pinze auricolari micro



44.350.40-44.360.35



44.350.40
 4 mm



44.350.70
 7 mm



44.352.40
 4 mm



44.353.60
 6 mm



44.355.60
 6 mm



44.357.40
 4 mm



44.359.40
 4 mm



44.360.35
 3,5 mm

Mikro-Ohrzängchen
 Micro Ear Forceps
 Pincès auriculaires micro
 Pinzas auriculares micro
 Pinze auricolari micro



44.362.45-44.383.30



44.362.45
4,5 mm



44.367.50
5,0 mm



McGEE
44.371.40
0,8x4,0 mm



JUERS
44.377.60
6 mm



44.363.45
4,5 mm



44.369.50
5,0 mm



COS
44.373.30
1,8x0,8x3,0 mm



HAUGH
44.381.30
45° 3 mm



44.365.45
4,5 mm



GREVEN
44.370.50
5,0 mm



JUERS
44.375.60
6 mm



HAUGH
44.383.30
45° 3 mm



DIETER
44.385.01-44.387.02

Hammerkopf-Zwickzängchen
 Malleus Nippers
 Pincès pour la tête du marteau
 Pinzas para la cabeza del martillo
 Pinze per la testa del martello

micro



44.385.01



44.385.02

aufwärts
upward
en haut
arriba
in alto

abwärts
downward
en bas
abajo
in basso

mini



44.387.01



44.387.02

Mikro-Ohrzängchen
 Micro Ear Forceps
 Pincès auriculaires micro
 Pinzas auriculares micro
 Pinze auricolari micro

Modelle mit Ringgriff
 Ring Handle Patterns
 Modèles manches à anneaux
 Modelos mangos con anillos
 Modelli manici con anelli

Modelle mit Bleistiftgriff
 Pencil Handle Patterns
 Modèles manches crayon
 Modelos mango en forma de lapiz
 Modelli manico forma matita



44.410.00-44.419.00
 micro
 RG



44.430.00-44.439.08
 micro
 BG

44.410.00  44.430.00

44.412.00  44.432.00

44.413.00  44.433.00

44.415.00  44.435.00

44.417.00  44.437.00

44.419.00  44.439.00

 44.439.08

44.420.00  44.440.00

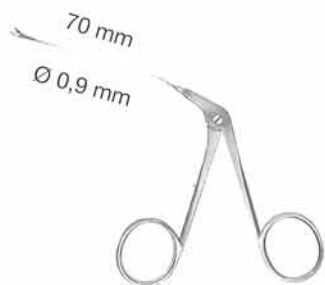
44.422.00  44.442.00

44.423.00  44.443.00

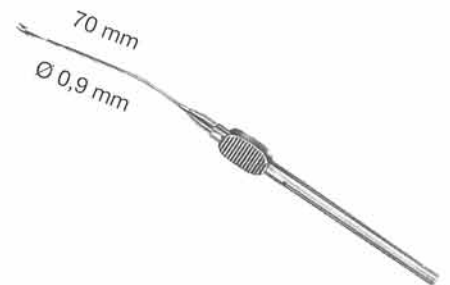
44.425.00  44.445.00

44.427.00  44.447.00

44.429.00  44.449.00

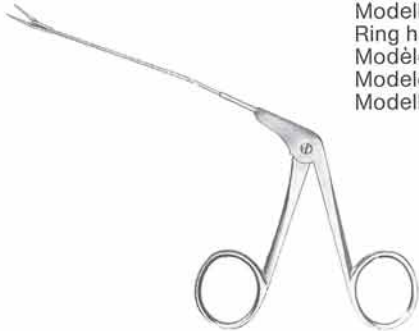


44.420.00-44.429.00
 micro-mini
 RG



44.440.00-44.449.00
 micro-mini
 BG

Mikro-Ohrzangchen
 Micro Ear Forceps
 Pincas auriculaires micro
 Pinzas auriculares micro
 Pinze auricolari micro



44.510.00-44.549.00
 micro
 RG

Modelle mit Ringgriff
 Ring handle Patterns
 Modèles manches à anneaux
 Modelos mangos con anillos
 Modelli manici con anelli



Modelle mit Bleistiftgriff
 Pencil Handle Patterns
 Modèles manches crayon
 Modelos mango en forma de lapiz
 Modelli manico forma matita

44.610.00-44.649.00
 micro
 BG

44.510.00		44.610.00
44.511.00		44.611.00
44.513.00		44.613.00
44.514.00		44.614.00
44.515.00		44.615.00
44.516.00		44.616.00
44.517.00		44.617.00
44.519.00		44.619.00
44.520.00		44.620.00
44.521.00		

Ø 1 mm	Ø 1,5 mm	Ø 2 mm	Ø 2,5 mm		Ø 1 mm	Ø 1,5 mm	Ø 2 mm	Ø 2,5 mm
44.522.00	44.528.00	44.534.00	44.540.00		44.622.00	44.628.00	44.634.00	44.640.00
44.523.00	44.529.00	44.535.00	44.541.00		44.623.00	44.629.00	44.635.00	44.641.00
44.525.00	44.531.00	44.537.00	44.543.00	R	44.625.00	44.631.00	44.637.00	44.643.00
44.527.00	44.533.00	44.539.00	44.545.00	L	44.627.00	44.633.00	44.639.00	44.645.00
			44.546.00					44.646.00
			44.547.00					44.647.00
			44.548.00					44.648.00
			44.549.00					44.649.00

Mikro-Ohrzangchen
 Micro Ear Forceps
 Pinces auriculaires micro
 Pinzas auriculares micro
 Pinze auricolari micro

Modelle mit Ringgriff
 Ring Handle Patterns
 Modèles manches à anneaux
 Modelos mangos con anillos
 Modelli manici con anelli

Modelle mit Bleistiftgriff
 Pencil Handle Patterns
 Modèles manches crayon
 Modelos mango en forma de lapiz
 Modelli manico forma matita



44.550.00-44.589.00
 micro-mini
 RG



44.650.00-44.689.00
 micro-mini
 BG

44.550.00		44.650.00
44.551.00		44.651.00
44.553.00		44.653.00
44.554.00		44.654.00
44.555.00		44.655.00
44.556.00		
44.557.00		44.657.00
44.559.00		44.659.00
44.560.00		44.660.00
44.561.00		
44.562.00		44.662.00
44.563.00		44.663.00
44.565.00		44.665.00
44.567.00		44.667.00
44.586.00		44.686.00
44.587.00		44.687.00
44.588.00		44.688.00
44.589.00		44.689.00

Otologie
 Otology
 Otologie
 Otologia
 Otologia



SCHUKNECHT
 44.701.01



SCHUKNECHT
 44.701.02



SCHUKNECHT
 44.703.15
 15,5 cm



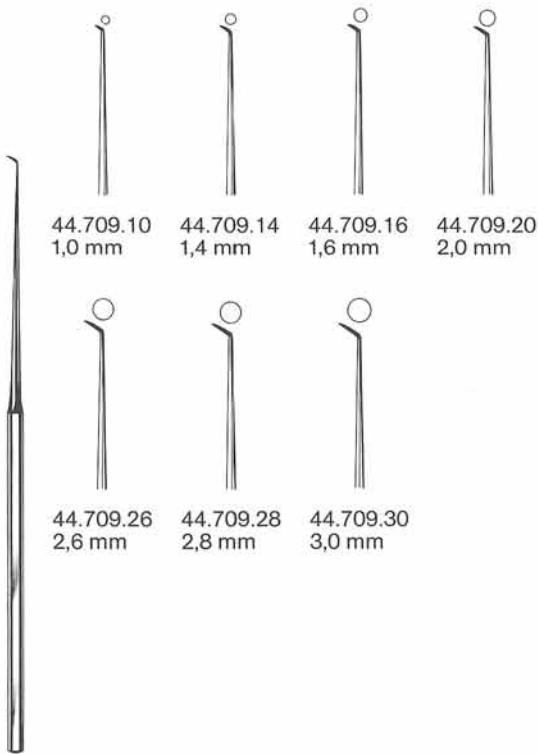
WULLSTEIN
 44.704.15
 15,5 cm



TABB
 44.705.15
 15,5 cm



PLESTER
 44.706.35
 15,5 cm/3,5 mm Ø



ROSEN
 44.709.10-44.709.30



BARBARA
 44.710.15
 BARBARA
 44.711.15
 BARBARA
 44.713.15
 ROSEN
 44.715.15

	25°	45°	90°	BARBARA
mm	BARBARA	BARBARA	BARBARA	BARBARA
0,3	44.720.03	44.722.03	44.724.03	44.725.05 = 0,5 mm
0,6	44.720.06	44.722.06	44.724.06	44.725.10 = 1,0 mm
1,0	44.720.10	44.722.10	44.724.10	
1,2		44.722.12	44.724.12	
1,5		44.722.15	44.724.15	
2,0		44.722.20	44.724.20	
2,5		44.722.25	44.724.25	

44.710.15-44.725.10



mm	90°	90°
0,3	44.730.03	44.732.03
0,6	44.730.06	44.732.06
1,0	44.730.10	44.732.10



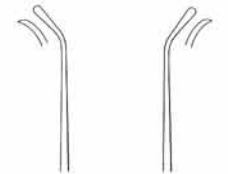
mm	McGEE	McGEE
0,5	44.733.05	44.735.05
1,0	44.733.10	44.735.10



BARBARA
 44.736.15
 15,5 cm



44.751.16 44.753.16



44.755.16 44.757.16

FISCH
 44.751.16-44.757.16

ROSEN
 44.737.15
 15,5 cm



mm	25°	25°	45°	45°
0,3	44.741.03	44.743.03	44.745.03	44.747.03
0,6	44.741.06	44.743.06	44.745.06	44.747.06
1,0	44.741.10	44.743.10	44.745.10	44.747.10

1/4
 44.802.16
 2 mm

44.803.16
 2 mm

44.805.16
 3 mm

LEMPERT
 44.802.16-44.805.16



mm		
1,0/1,2	44.760.01	
1,5/1,8	44.760.02	

mm		
1,0/1,2	44.762.01	
1,5/1,8	44.762.02	

HOUSE
 44.760.01-44.762.02

3,5 mm
 44.766.35

4 mm
 44.766.40

4,5 mm
 44.766.45

5 mm
 44.766.50

HOUSE
 44.766.35-44.766.50



LEMPERT
 44.807.20
 20,5 cm



mm PASSOW
 2x2 44.810.02
 3x3 44.810.03



MUCK
 44.812.13
 13 cm